

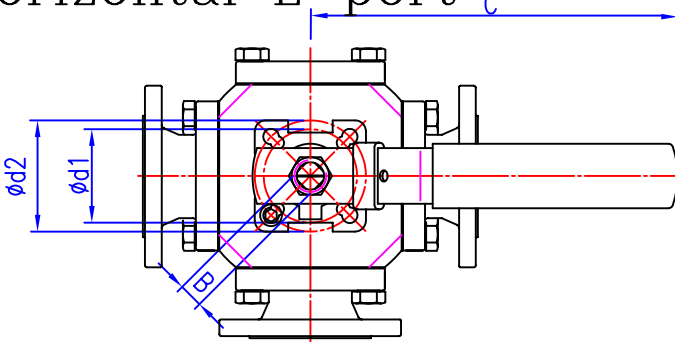
33 Series

3-Way 1/2"~2-1/2"

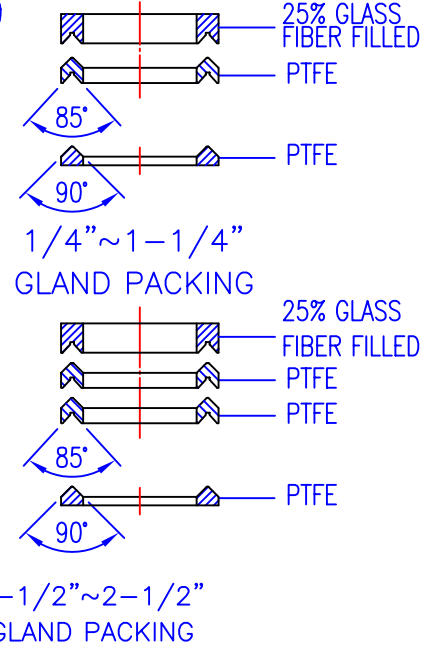
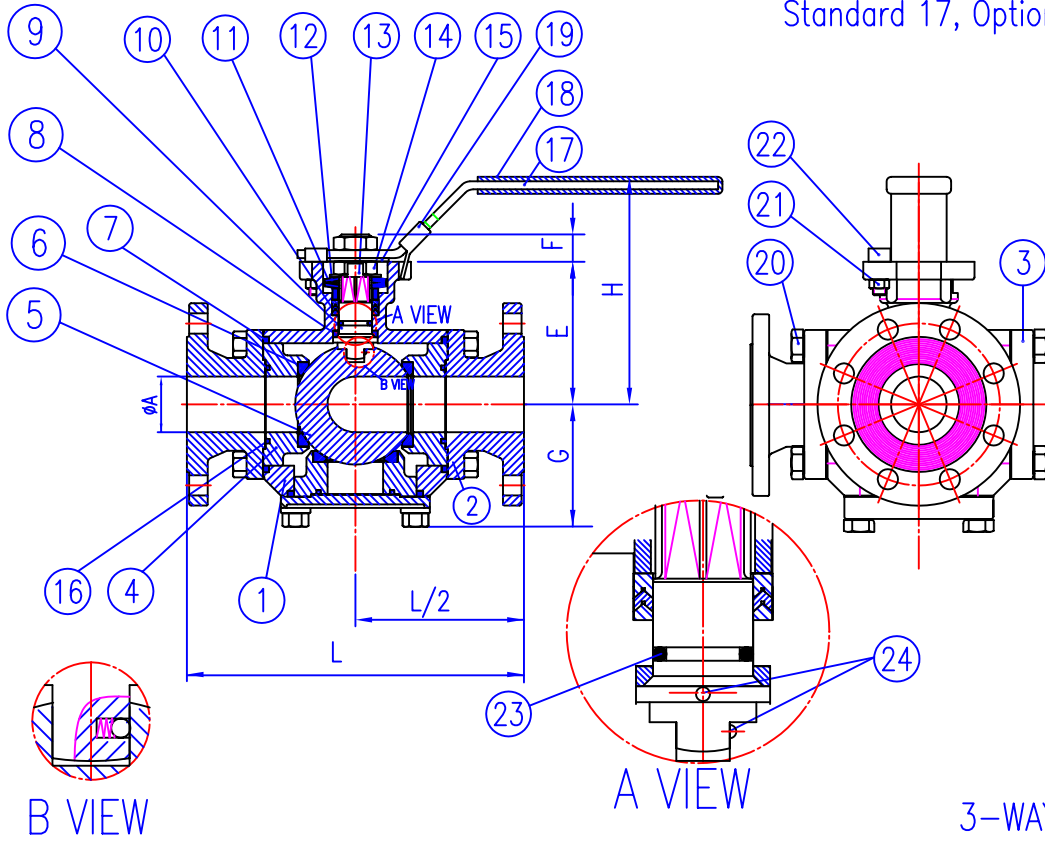
Horizontal L-port

3-WAY FULL BORE BALL VALVE

SIZE	∅A	B	C	E	F	G	H	∅d1	∅d2	#150 L	#300 L	PN16 L	PN40 L	ISO 5211
1/2"	15	9	150	43.9	9	35.1	85	36	42	150	160	165	165	F03/F04/F05
3/4"	20	11	165	54.2	10.5	45.3	93	42	50	175	190	190	190	F04/F05
1"	25	11	180	64.1	10.5	56.8	108	42	50	205	215	220	220	F04/F05/F07
1-1/4"	32	14	215	78.5	13	59.8	127	50	70	215	235	235	235	F05/F07
1-1/2"	38	17/19	263	94.9	18	72.3	152	70	102	255	270	270	270	F07/F10
2"	50	17/19	313	101.6	18	80.5	159	70	102	280	290	290	290	F07/F10
2-1/2"	65	17/19	344	120	18	96.8	177	70	102	325	330	330	330	F07/F10



Dimension B: 17/19
Standard 17, Option 19



1-1/2"~2-1/2"
GLAND PACKING

SEATx5PCS
ISO 5211 Mounting Pad

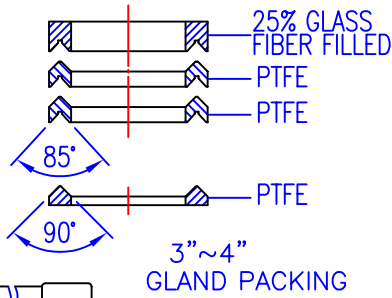
MATERIALS LIST

NO.	PART NAME	QTY	MATERIAL
1	BODY	1	CF8M / WCB
2	END CAP-A	3	CF8M / WCB
3	END CAP-B	2	CF8M / WCB
4	SEAT RETAINER	5	CF8M
5	BALL	1	SS316
6	SEAT	5	RTFE
7	JOINT GASKET	5	PTFE
8	STEM SEAL	1	RPTFE
9	STEM	1	SS316
10	GLAND PACKING	1SET	25%GLASS FIBER FILLED+PTFE
11	GLAND BUSH	1	SS304
12	BELLEVILLE WASHER	2	SS301
13	STOP WASHER	1	SS304
14	STEM NUT	2	SS304
15	STEM WASHER	1	SS304
16	RETAINER SEAL	5	PTFE
17	HANDLE	1	SS304
18	HANDLE SLEEVE	1	VINYL
19	LOCKING DEVICE	1	SS304
20	BOLT NUT	20	SS304
21	PIN NUT	1	SS304
22	STOP PIN	1	SS304
23	O-RING	1	VITON
24	Antistatic Device	2	SS316

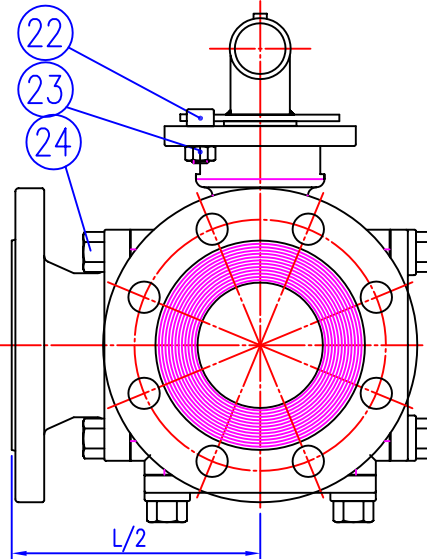
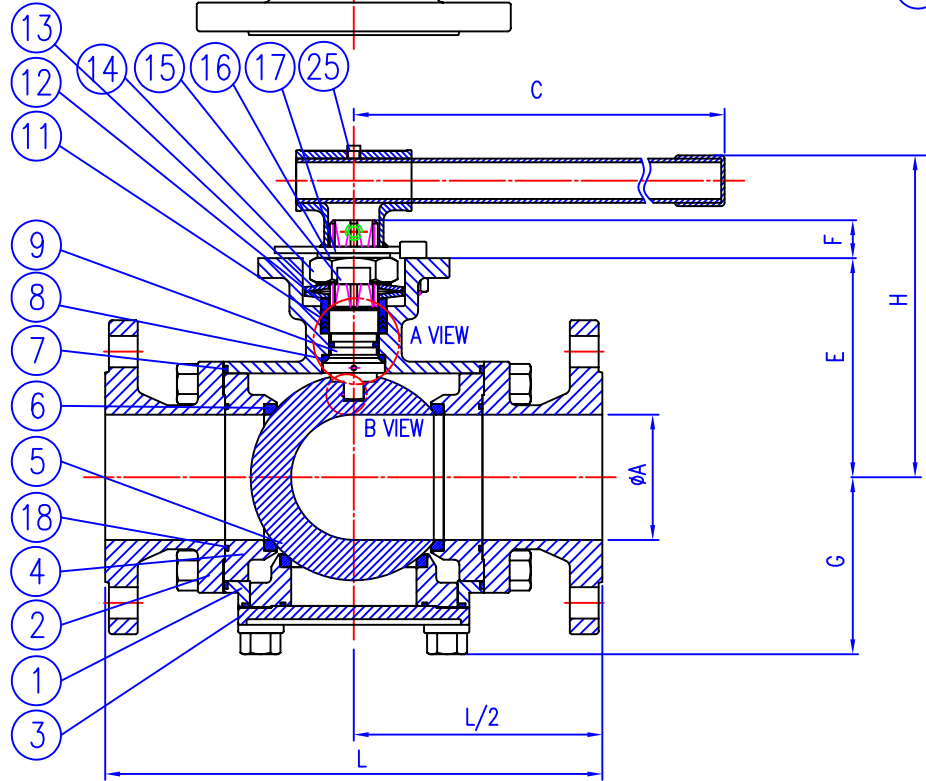
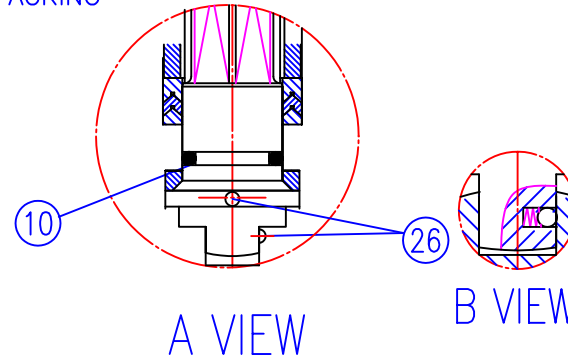
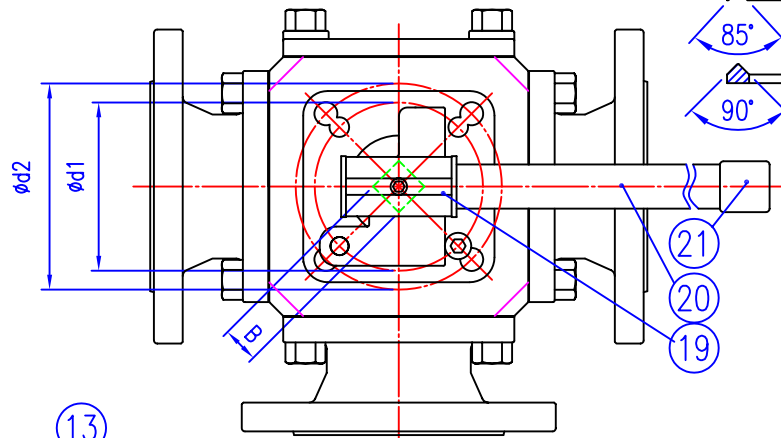
3-WAY/4-WAY/5-WAY BALL VALVES

					MATERIAL	DATE	2006,09,07	CHECKED BY		DRAW BY	Flora L
						DRAWING			33 SERIES (Horizontal L-port)		
ORDER	DATE	REASON FOR CHANGE	Legend	CHANGE BY	REMARK						

33 Series 3-Way 3"~4" Horizontal L-port



SIZE	øA	B	C	E	F	G	H	ød1	ød2	#150 L	PN16 L	ISO 5211
3"	76	22	370	132.9	23	105	195	102	125	345	340	F10/F12
4"	100	22	510	164	23	131.5	226	102	125	403	403	F10/F12



MATERIALS LIST

NO.	PART NAME	QTY	MATERIAL
1	BODY	1	CF8M / WCB
2	END CAP-A	3	CF8M / WCB
3	END CAP-B	2	CF8M / WCB
4	SEAT RETAINER	5	CF8M
5	BALL	1	SS316
6	SEAT	5	PTFE/RTFE
7	JOINT GASKET	5	PTFE
8	STEM SEAL	1	RPTFE
9	STEM	1	SS316
10	O-RING	1	VITON
11	GLAND PACKING	1SET	25%GLASS FIBER FILLED+PTFE
12	GLAND BUSH	1	SS304
13	BELLEVILLE WASHER	2	SS301
14	STEM NUT	1	SS304
15	STOP WASHER	1	SS304
16	STEM WASHER	1	SS304
17	LOCKING PLATE	1	SS304
18	RETAINER SEAL	5	PTFE
19	HANDLE-A	1	SS304
20	HANDLE-B	1	SS304
21	HANDLE SLEEVE	1	VINYL
22	STOP PIN	1	SS304
23	PIN NUT	1	SS304
24	BOLT NUT	20	SS304
25	HANDLE NUT	2	SS304
26	Antistatic Device	2	SS316

					MATERIAL	DATE	2006, 01, 01	CHECKED BY		DRAW BY	Flora L
						DRAWING			33 SERIES 3"~4"(Horizontal L-port)		
ORDER	DATE	REASON FOR CHANGE	Legend	CHANGE BY	REMARK						

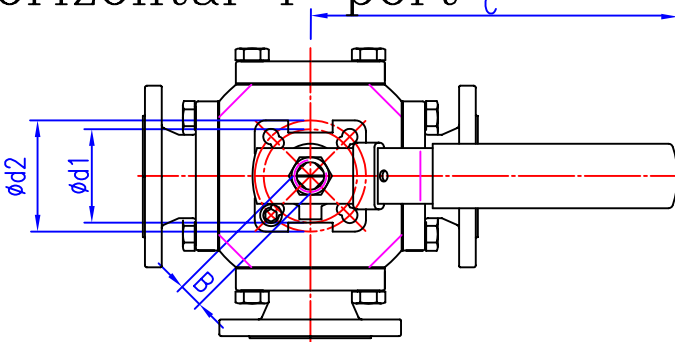
33 Series

3-Way 1/2"~2-1/2"

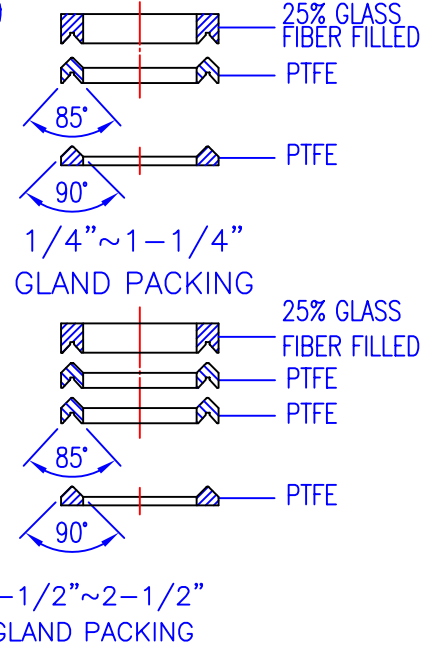
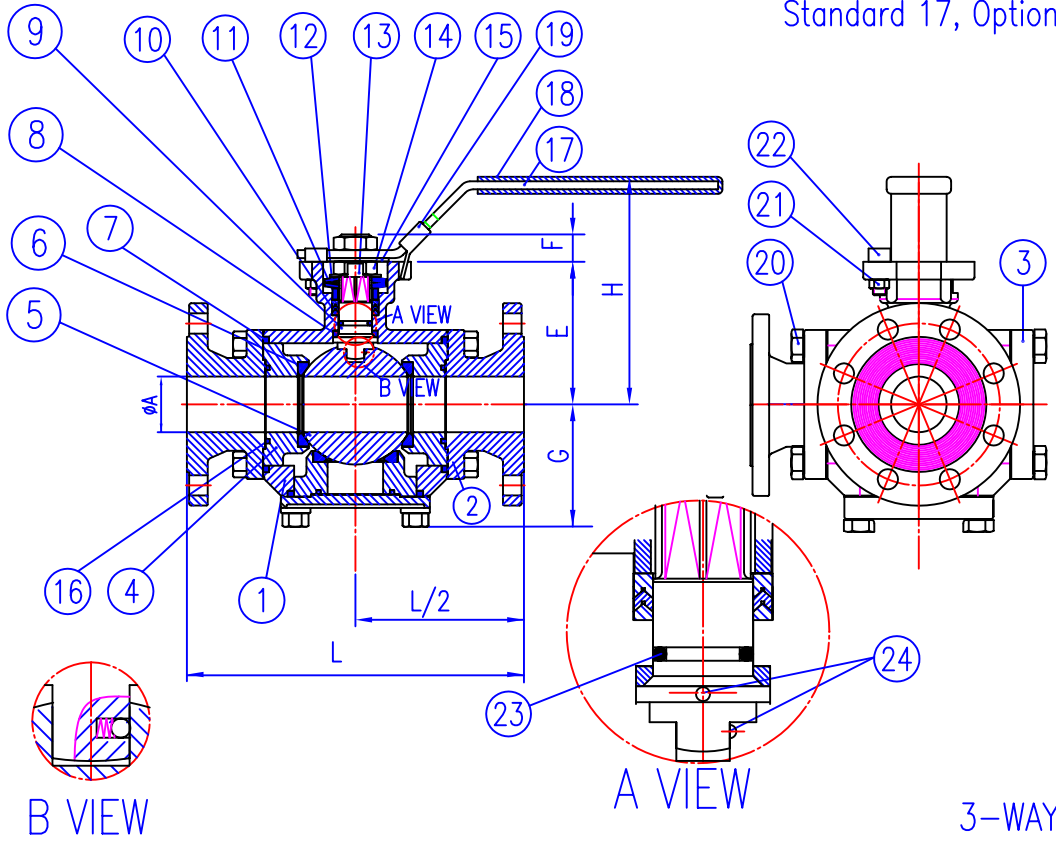
Horizontal T-port

3-WAY FULL BORE BALL VALVE

SIZE	∅A	B	C	E	F	G	H	∅d1	∅d2	#150 L	#300 L	PN16 L	PN40 L	ISO 5211
1/2"	15	9	150	43.9	9	35.1	85	36	42	150	160	165	165	F03/F04/F05
3/4"	20	11	165	54.2	10.5	45.3	93	42	50	175	190	190	190	F04/F05
1"	25	11	180	64.1	10.5	56.8	108	42	50	205	215	220	220	F04/F05/F07
1-1/4"	32	14	215	78.5	13	59.8	127	50	70	215	235	235	235	F05/F07
1-1/2"	38	17/19	263	94.9	18	72.3	152	70	102	255	270	270	270	F07/F10
2"	50	17/19	313	101.6	18	80.5	159	70	102	280	290	290	290	F07/F10
2-1/2"	65	17/19	344	120	18	96.8	177	70	102	325	330	330	330	F07/F10



Dimension B: 17/19
Standard 17, Option 19



SEATx5PCS
ISO 5211 Mounting Pad

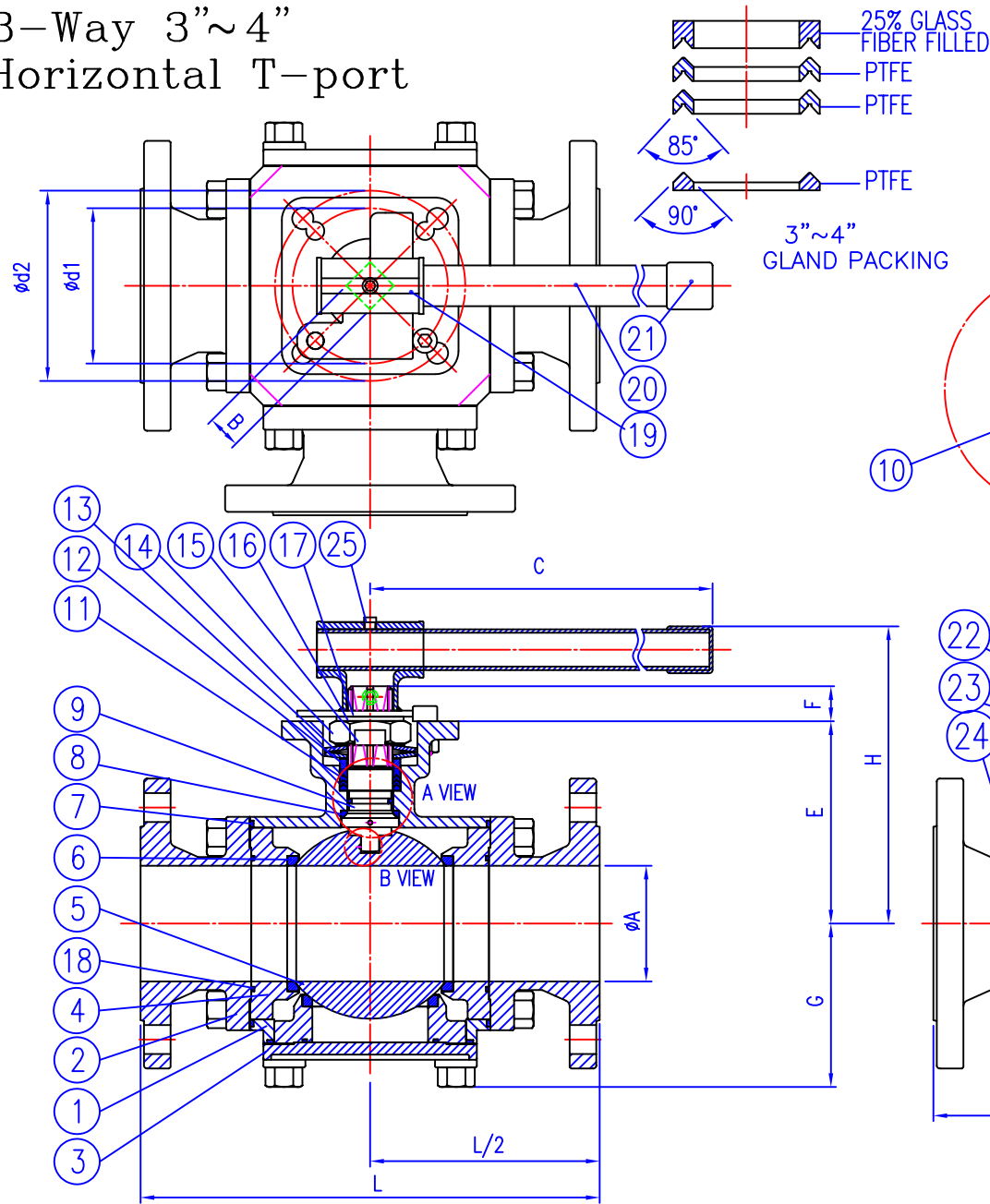
3-WAY/4-WAY/5-WAY BALL VALVES

MATERIALS LIST

NO.	PART NAME	QTY	MATERIAL
1	BODY	1	CF8M / WCB
2	END CAP-A	3	CF8M / WCB
3	END CAP-B	2	CF8M / WCB
4	SEAT RETAINER	5	CF8M
5	BALL	1	SS316
6	SEAT	5	RTFE
7	JOINT GASKET	5	PTFE
8	STEM SEAL	1	RPTFE
9	STEM	1	SS316
10	GLAND PACKING	1SET	25%GLASS FIBER FILLED+PTFE
11	GLAND BUSH	1	SS304
12	BELLEVILLE WASHER	2	SS301
13	STOP WASHER	1	SS304
14	STEM NUT	2	SS304
15	STEM WASHER	1	SS304
16	RETAINER SEAL	5	PTFE
17	HANDLE	1	SS304
18	HANDLE SLEEVE	1	VINYL
19	LOCKING DEVICE	1	SS304
20	BOLT NUT	20	SS304
21	PIN NUT	1	SS304
22	STOP PIN	1	SS304
23	O-RING	1	VITON
24	Antistatic Device	2	SS316

					MATERIAL	DATE	2006,09,07	CHECKED BY		DRAW BY	Flora L
						DRAWING			33 SERIES (Horizontal T-port)		
ORDER	DATE	REASON FOR CHANGE	Legend	CHANGE BY	REMARK						

33 Series 3-Way 3"~4" Horizontal T-port



SIZE	øA	B	C	E	F	G	H	ød1	ød2	#150 L	PN16 L	ISO 5211
3"	76	22	370	132.9	23	105	195	102	125	345	340	F10/F12
4"	100	22	510	164	23	131.5	226	102	125	403	403	F10/F12

MATERIALS LIST

NO.	PART NAME	QTY	MATERIAL
1	BODY	1	CF8M / WCB
2	END CAP-A	3	CF8M / WCB
3	END CAP-B	2	CF8M / WCB
4	SEAT RETAINER	5	CF8M
5	BALL	1	SS316
6	SEAT	5	PTFE/RTFE
7	JOINT GASKET	5	PTFE
8	STEM SEAL	1	RPTFE
9	STEM	1	SS316
10	O-RING	1	VITON
11	GLAND PACKING	1SET	25%GLASS FIBER FILLED+PTFE
12	GLAND BUSH	1	SS304
13	BELLEVILLE WASHER	2	SS301
14	STEM NUT	1	SS304
15	STOP WASHER	1	SS304
16	STEM WASHER	1	SS304
17	LOCKING PLATE	1	SS304
18	RETAINER SEAL	5	PTFE
19	HANDLE-A	1	SS304
20	HANDLE-B	1	SS304
21	HANDLE SLEEVE	1	VINYL
22	STOP PIN	1	SS304
23	PIN NUT	1	SS304
24	BOLT NUT	20	SS304
25	HANDLE NUT	2	SS304
26	Antistatic Device	2	SS316

MATERIAL	DATE	2006, 01, 01	CHECKED BY	DRAW BY	Flora L
DRAWING	33 SERIES 3"~4"(Horizontal T-port)				

ORDER	DATE	REASON FOR CHANGE	Legend	CHANGE BY	REMARK