

# THREE-WAY BALL VALVE - 1370 series

## With electric actuator type EL

### FIGURE:

**Fig. 1370 L EL:** Female threaded BSP according to DIN 2999, L- port

**Fig. 1370 T EL:** Female threaded BSP according to DIN 2999, T- port

**Fig. 1372 L EL:** Female threaded NPT according to ASME B1.20.1, L- port

**Fig. 1372 T EL:** Female threaded NPT according ASME B1.20.1, T- port

### CHARACTERISTICS:

- Reduced bore, anti-static device, with locking device
- ISO 5211 mounting flange, for direct mount
- Anti-blow out stem in stainless steel
- Locking plate in stainless steel
- 3-way ball valve with 4 seats
- 90° turnable handle

### MATERIALS:

Body and flanges in stainless steel ASTM A351 CF8M

Ball and stem in stainless steel AISI 316

PTFE seats

**OPERATIONS:** electric actuator, voltage 220 VAC or 24 VDC

with manual override, 2 adjustable limit switches,

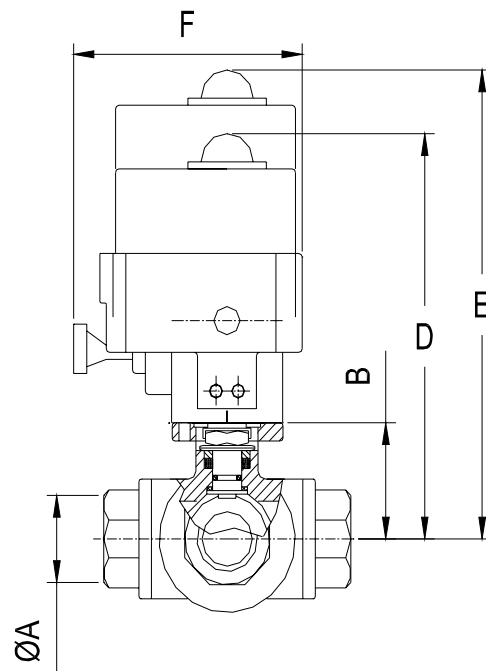
position indicator, 4 adjustable travel limit switches,

heating 10 Watt

Protection class IP 65 (IP 67 on request)

### DIMENSIONS: (in mm)

Ø	EL	Ø A	B	D	E	G	Kg.
1/4"	55	11,0	38,5	313,5	438,5	190	6,6
3/8"	55	12,0	38,5	313,5	438,5	190	6,6
1/2"	55	12,0	38,5	313,5	438,5	190	6,8
3/4"	55	15,0	41,0	316,0	441,0	190	7,4
1"	55	20,0	49,0	324,0	449,0	190	8,1
1 1/4"	55	25,0	55,0	330,0	455,0	190	10,5
1 1/2"	100	32,0	63,0	375,0	520,0	217	16,1
2"	100	38,0	74,0	386,0	531,0	217	20,4



# SODECO

[www.sodeco-valves.com](http://www.sodeco-valves.com)  
[www.sodecovalves.eu](http://www.sodecovalves.eu)  
[www.inoxline.com](http://www.inoxline.com)