

GENERAL FEATURES:

- Reduced bore
- 90° turnable handle
- Mounting flange according to ISO 5211
- Anti-blow out stem
- Self-adjusting stem packing
- Seats in RPTFE

FIGURE:

1370T: BSP according to DIN EN 10266, T-port

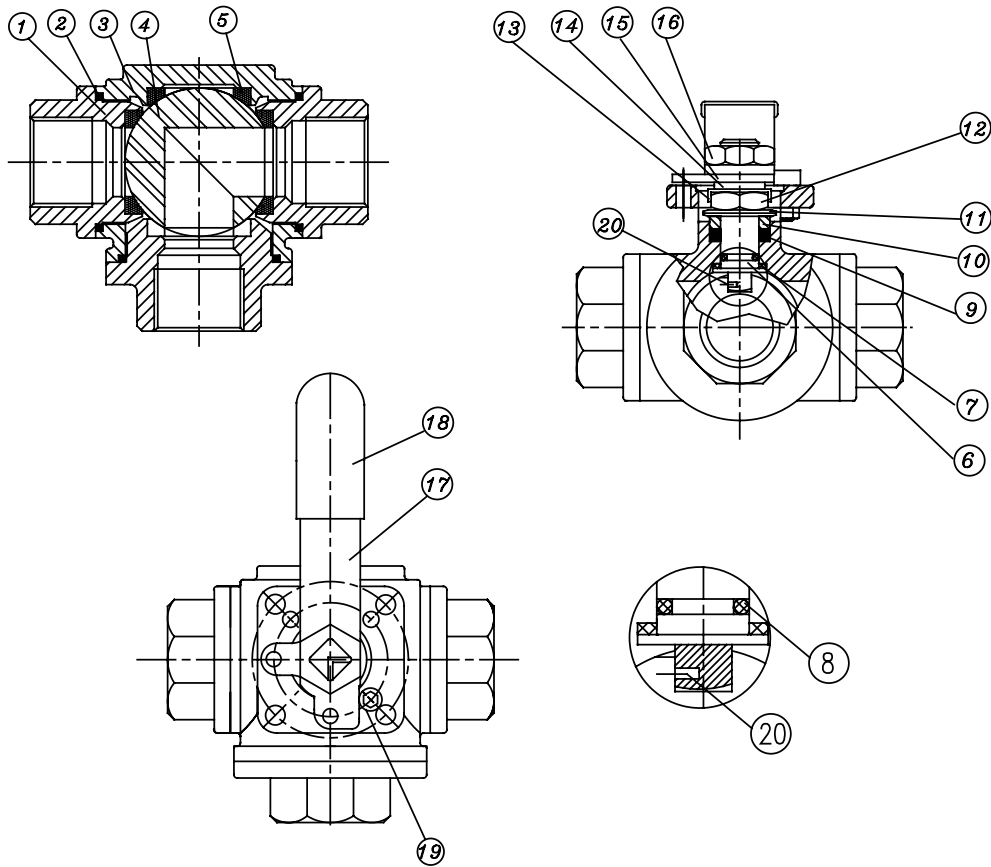
1372T: NPT according to ASME B1.20.1, T-port

1370L: BSP according to DIN EN 10266, L-port

1372L: NPT according to ASME B1.20.1, L-port

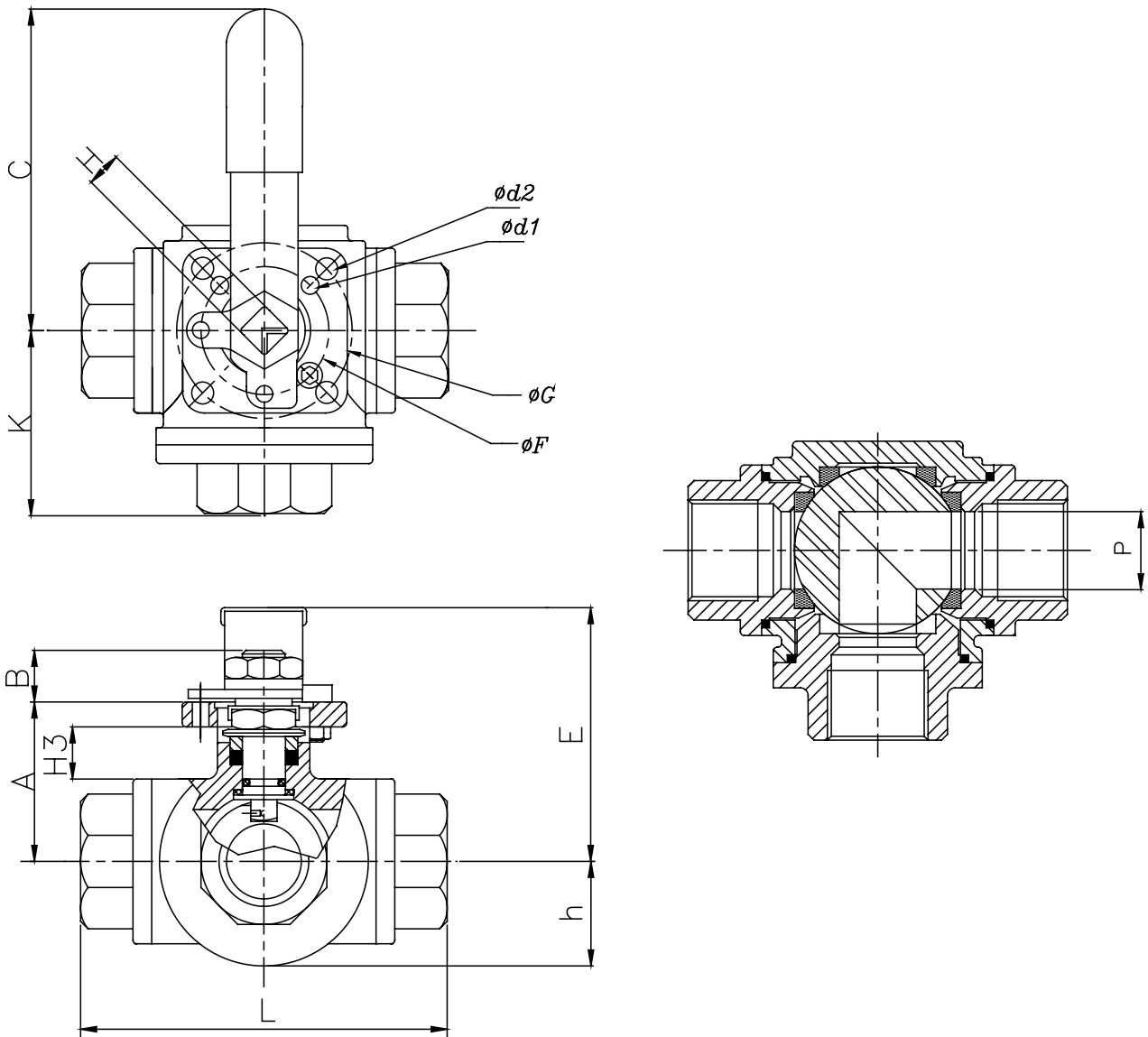


DESIGN STANDARDS	
Compliance	ANSI B16.34, ANSI B1.20, API 6D
Actuator mounting flange	ISO 5211
Marking	ISO 5209, EN 19
TESTS AND CERTIFICATES	
Quality Assurance	ISO 9001
Material certificate	EN 10204-3.1
Pressure test	API 598



Item	Description	Materials
1	End cap	A351 Gr CF8M
2	Joint gasket	PTFE
3	Body	A351 Gr CF8M
4	Ball	Stainless steel 316
5	Seat	RPTFE
6	Stem	Stainless steel 316
7	Stem seal	RPTFE
8	O-ring	Viton
9	Stem packing	PTFE + 15% graphite
10	Gland	Stainless steel 304
11	Belleville washer	Stainless steel 301
12	Stem nut	Stainless steel 304
13	Nut stop	Stainless steel 304
14	Washer	Stainless steel 304
15	Stop plate	Stainless steel 304
16	Nut	Stainless steel 304
17	Handle	Stainless steel 304
18	Handle sleeve	Vinyl
19	Stop pin	Stainless steel 304
20	Anti-static device	Stainless steel 316

Subject to changes

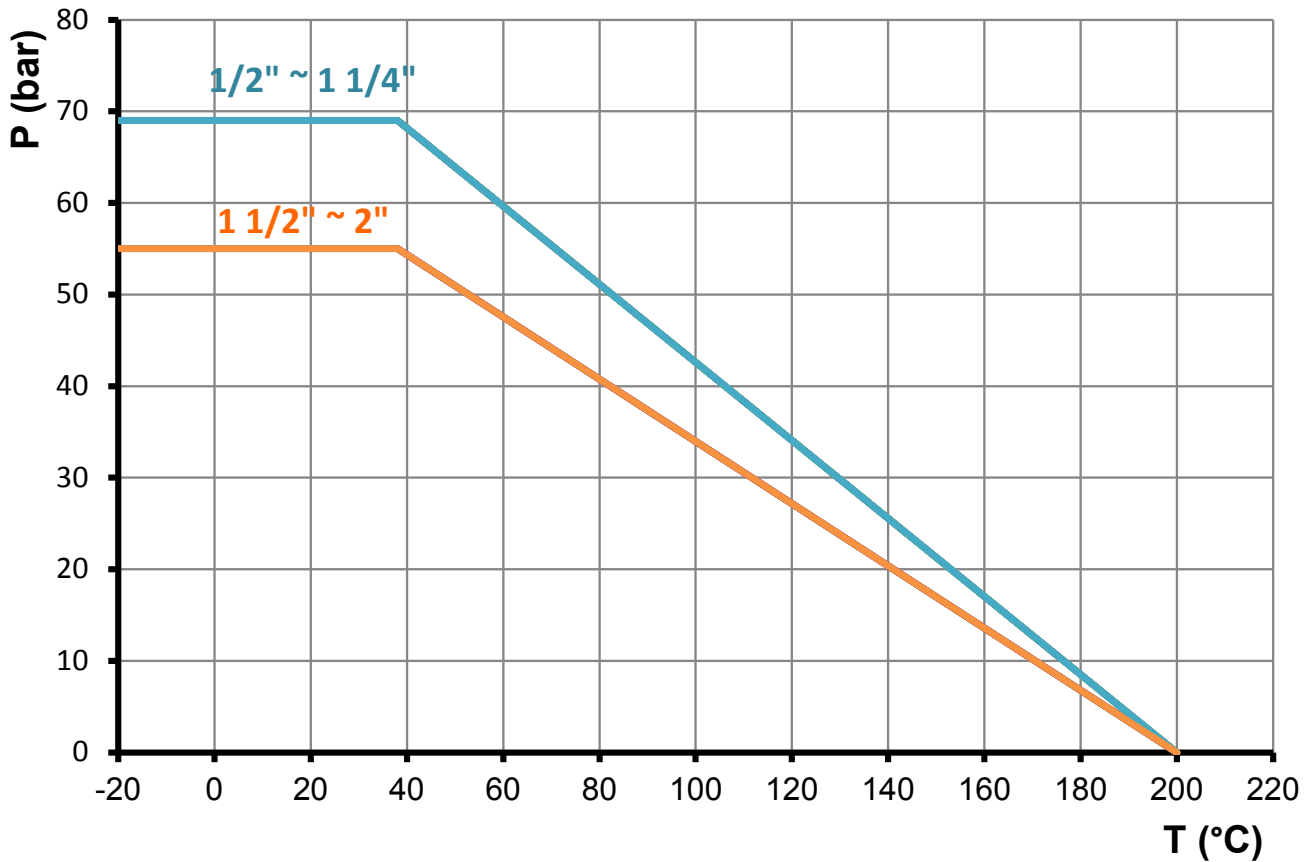

DIMENSIONS: (mm)

Ø	DN	A	B	C	Ød1	Ød2	E	ØF	ØG
1/2"	15	38,5	11	130	6,0	6,0	62	36	42
3/4"	20	41,0	11	130	6,0	6,0	64	36	42
1"	25	49,0	14	165	6,0	7,1	82	42	50
1 1/4"	32	55,0	14	165	6,0	7,1	89	42	50
1 1/2"	40	63,0	18	205	7,1	9,2	98	50	70
2"	50	74,0	18	205	7,1	9,2	108	50	70

Ø	DN	H	K	L	H3	h	P	ISO5211	Kg
1/2"	15	9	36,0	72	11,8	20,0	12	F03/F04	0,9
3/4"	20	9	41,5	83	13,4	23,2	15	F03/F04	1,5
1"	25	11	49,5	99	14,8	28,0	20	F04/F05	2,2
1 1/4"	32	11	56,0	112	15,0	34,0	25	F04/F05	3,3
1 1/2"	40	14	62,5	125	16,2	39,0	32	F05/F07	5,2
2"	50	14	74,5	149	16,5	48,0	38	F05/F07	9,5

Subject to changes

PRESSURE-TEMPERATURE CHART:



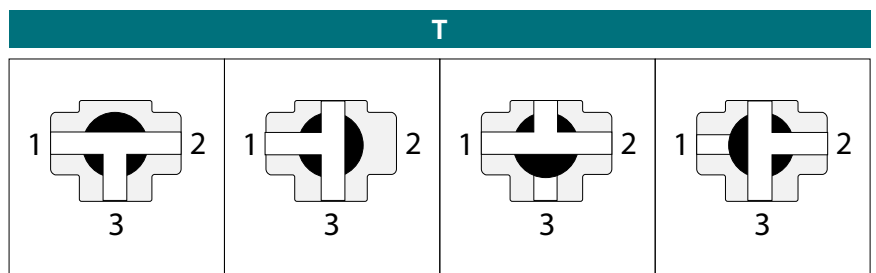
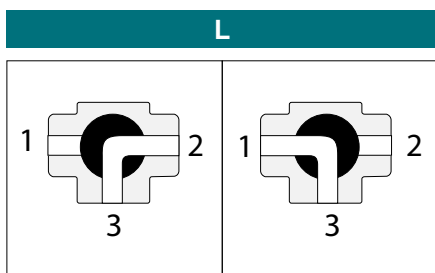
TORQUES: (in Nm)

Ø	T (Nm)
1/2"	10
3/4"	13
1"	23
1 1/4"	42
1 1/2"	51
2"	59

Kv VALUES:

Ø	L-port	T-port (through)	T-port (branch)
1/2"	9,5	11,2	6,9
3/4"	13,0	16,4	9,5
1"	26,0	29,4	19,0
1 1/4"	40,7	46,7	35,5
1 1/2"	60,6	72,7	46,7
2"	115,0	136,7	83,9

CONFIGURATIONS:



Subject to changes