

**GENERAL FEATURES:**

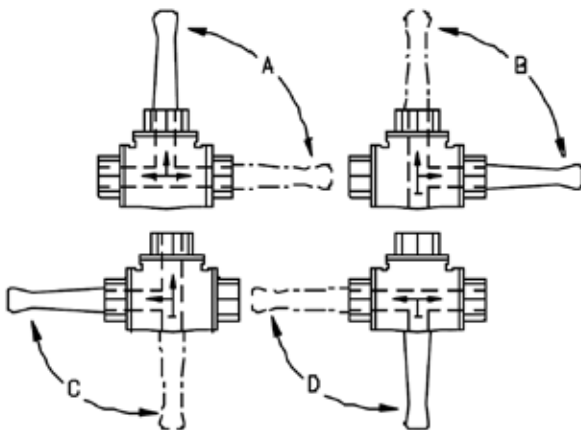
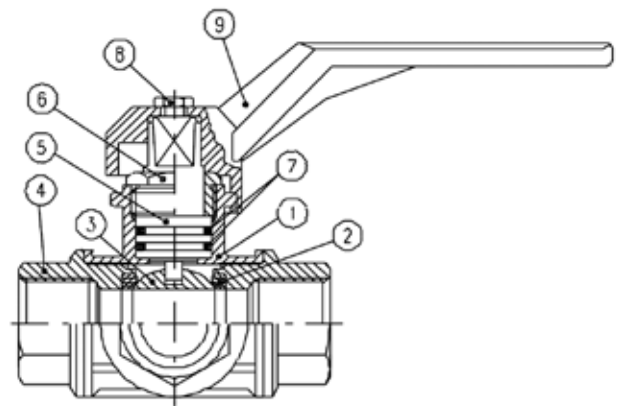
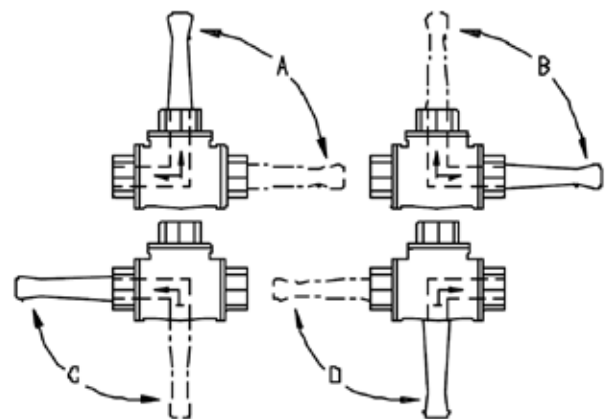
- Full bore
- Non-ejectable stem
- BSP threaded according to ISO 228
- PTFE seats
- Test and inspection according to UNI 8858

**FIGURE:**
**04900L:** 3-way ball valve with L-port

**04900T:** 3-way ball valve with T-port

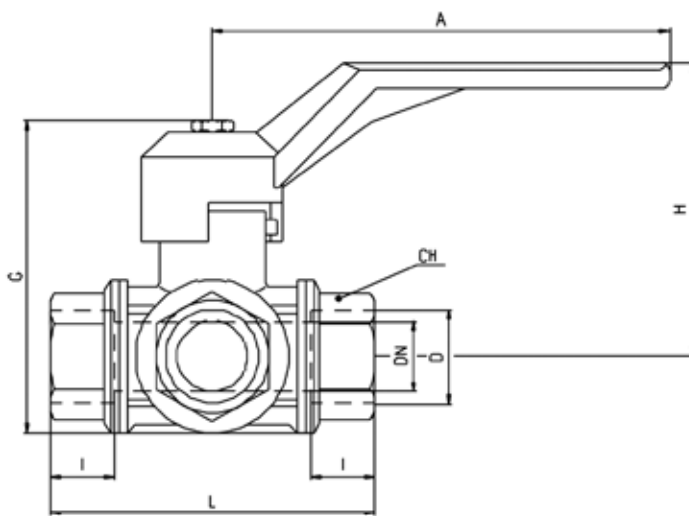
**MATERIALS:**

Item	Description	Material
1	Body	Brass CW617N
2	Seat	PTFE
3	Ball	Brass CW617N
4	Body connector	Brass CW617N
5	Stem and stem seal	Brass CW614N
6	Nut	Brass CW614N
7	O-ring	Viton
8	Screw	Steel
9	Wrench	Aluminium

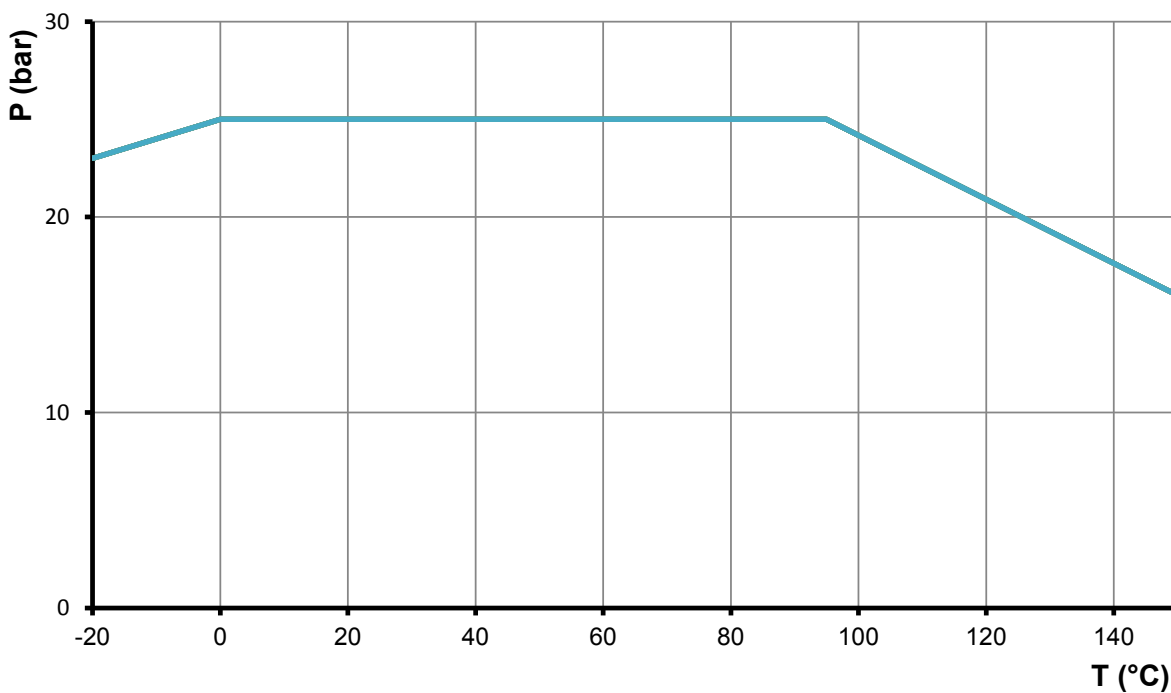

**FIG. 04900T**

**FIG. 04900L**

**DIMENSIONS:** (mm)

Ø D	DN	I	L	G	A	H	CH	Kg
1/4"	10	19	77	75	125	65	22	0,8
3/8"	12	19	77	75	125	65	22	0,8
1/2"	14	19	77	75	125	65	27	0,8
3/4"	18	23	92	91	145	83	34	1,3
1"	23	25	104	105	170	96	41	1,9
1¼"	29	27	118	115	170	102	50	2,6
1½"	36	31	138	128	170	109	57	4,2
2"	45	36	162	165	260	139	70	6,7



**PRESSURE-TEMPERATURE CHART:**



Subject to changes